

AC 226

Self Contained Ice Machine 145 kg




Item #:
Project:
Quantity:




FEATURES

- Produces individual Gourmet crystal clear ice cubes.
- Resistant stainless steel exterior.
- Advanced diagnostics computerized control.
- Front panel in and out airflow (air-cooled model only) for built-in installation.
- Front access condenser air filter, removable and washable (air cooled version only).
- Easily accessible front panel mount ON-OFF Switch.
- Routine maintenance visible alarm light on front panel.
- Ergonomically designed ice storage access, with disappearing door. Door-closing movement dampening system.

Self Contained Ice Machine 145 kg

 <p>AC L 226 Large Gourmet 39 g Ø 38 x H 41 mm</p>  <p>AC M 226 Medium Gourmet 20 g Ø 30 x H 34 mm</p>  <p>AC S 226 Small Gourmet 8 g Ø 21 x H 25 mm</p>	<p>CONDENSING SYSTEM</p> <p>Air cooled Water cooled</p>	<p>INTERNAL BIN CAPACITY</p> <p>70 kg</p>
	<p>REFRIGERANT GAS</p> <p>R404A R452A</p>	
	<p>VOLTAGE V/Hz/ph</p> <p>230/50/1 230/60/1</p>	

CERTIFICATIONS	OPERATING REQUIREMENTS		
	Minimum	Maximum	
	Air temperature	10	43
	Water temperature	5	38
	Water pressure	1 bar (14 psi)	5 bar (70 psi)
	Electrical voltage	-10%	+10%

IMPORTANT NOTICE:
Models and specifications are subject to change without notice.
This spec sheet is meant for commercial purpose only.
For technical documentation please refer to our service manuals.

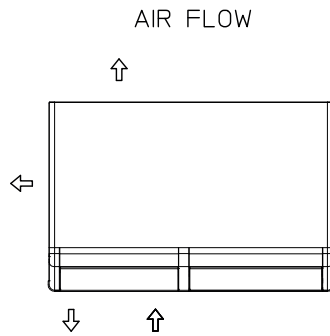
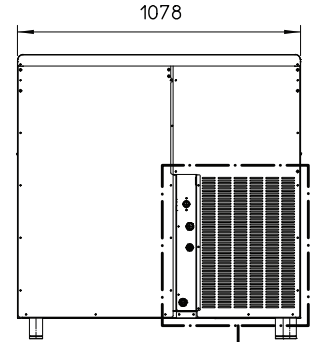
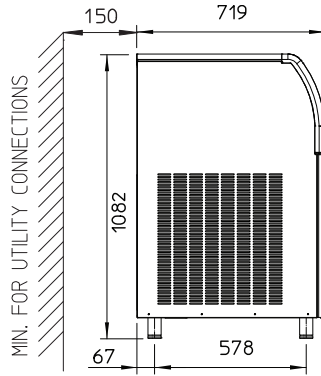
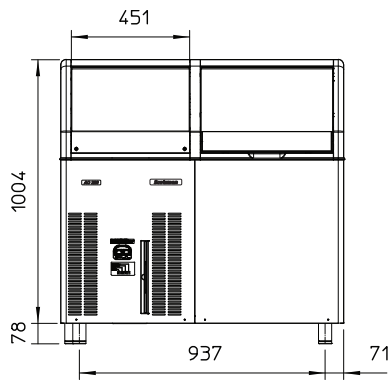
www.scotsman-ice.it
www.scotsman-ice.com

AC 226

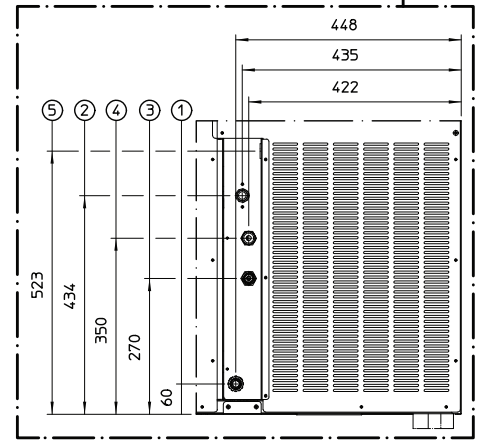
Self Contained Ice Machine 145 kg

Item #:
Project:
Quantity:

Self Contained Ice Machine 145 kg



- UNIT OF MEASUREMENT: mm
- 3/4" OD - OVERFLOW DRAIN
 - 3/4" GAS - WATER INLET
 - 3/4" GAS - WATER OUTLET WATER COOLED UNIT ONLY
 - 3/4" GAS - WATER INLET WATER COOLED UNIT ONLY
 - CORD SET



UNIT DATA		SHIPPING DATA		(*) Data refer to 32°C Amb. / 21°C Water temperature conditions									
Size (W x D x H)		1078 x 719 x 1082 mm		Carton (W x D x H)		1150 x 780 x 1160 mm							
Net weight		96 kg		Weight		110 kg							
Version	Voltage	24 h ice production kg °C Amb. / °C Water			Energy consumption (*)		Water usage (*)	Instant power	Compressor	Circuit wires	Max. fuse size		
		10°C/10°C	21°C/10°C	32°C/21°C	kWh/100 kg	kWh/24h	l/h	W	W	No. x Ømm ²	A		
ACL 226 AS	230/50/1	134	128	101	23.6	23.7	11.3	1150	2650	3 x 1.5	16		
ACL 226 WS	230/50/1	150	130	100	15.0	19.5	141.7	800	2650	3 x 1.5	16		
ACM 226 AS	230/50/1	145	142	110	22.0	24.2	13.8	1150	2650	3 x 1.5	16		
ACM 226 WS	230/50/1	150	147	130	14.8	19.2	139.2	800	2650	3 x 1.5	16		
ACS 226 AS	230/50/1	145	140	110	22.5	24.7	16.7	1150	2650	3 x 1.5	16		
ACS 226 WS	230/50/1	145	140	110	22.5	24.7	139.2	1300	2650	3 x 1.5	16		
ACL 226 AS	230/60/1	148	143	105	25.0	26.0	14.0	1400	3100	3 x 1.5	16		
ACL 226 WS	230/60/1	147	143	114	23.3	26.4	141.7	1150	2650	3 x 1.5	16		
ACM 226 AS	230/60/1	145	142	110	25.6	28.1	15.8	1150	3100	3 x 1.5	16		
ACM 226 WS	230/60/1	145	142	110	25.6	28.1	139.2	1150	3100	3 x 1.5	16		